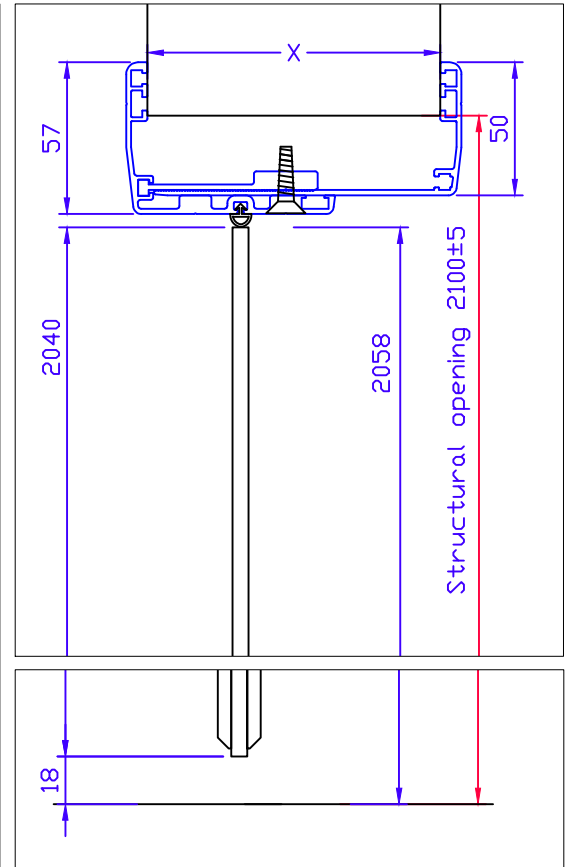
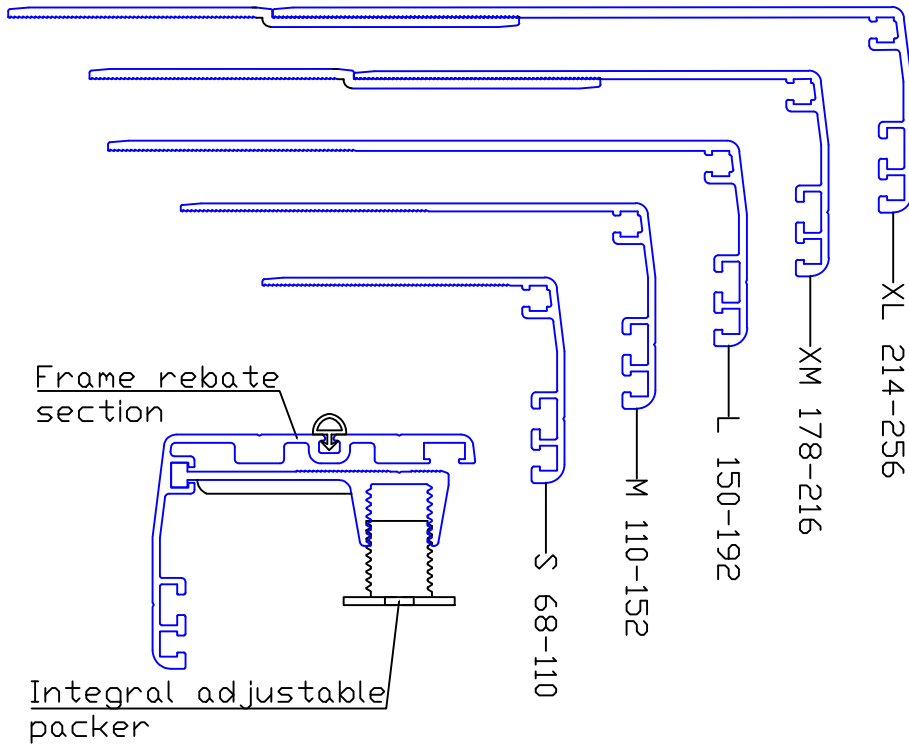
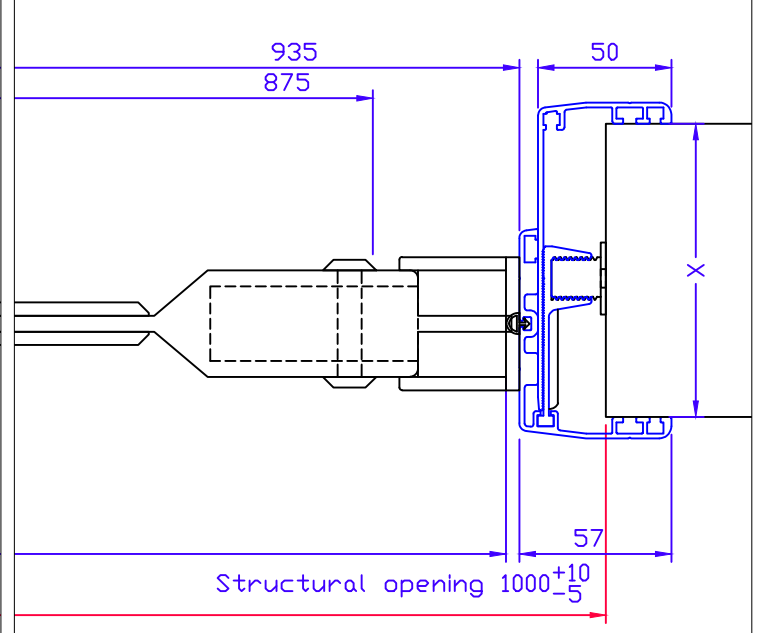
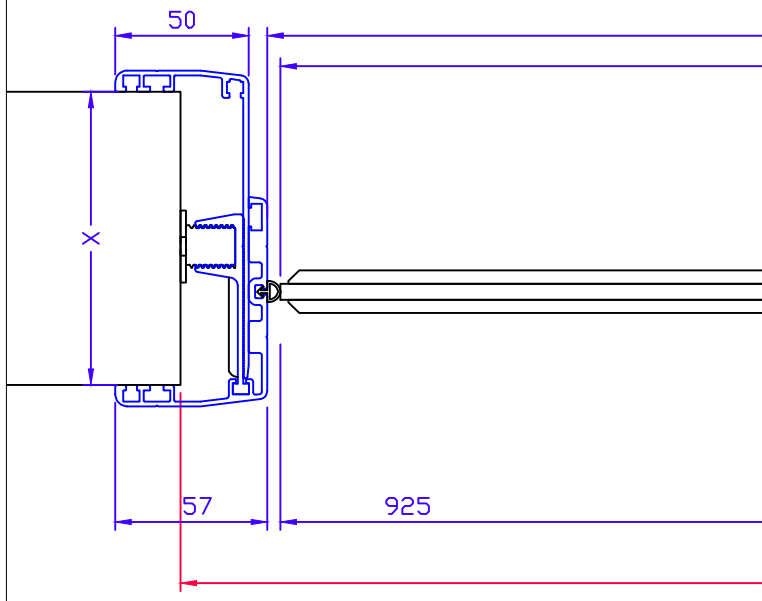


Frame adjusting sections for different wall thicknesses



SV 10



SV 14 P

